

Two-Point Deadlatch with Paddle

For Aluminum Stile Doors

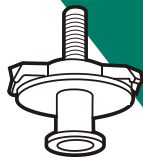
4781

▼ Header Strike

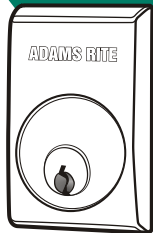
A flanged post installed on the header has generous location adjustment to allow for door misalignment, sag, bumpers, etc. Designed to prevent forced entry by bowing the door.

▼ Top Bolt

Similar to door latches on some automobiles and aircraft, the U-shaped bolt wraps around the strike post to deadlock position, which also deadlocks the bottom bolt through a gear train at the center of the rod assembly.



Header Strike



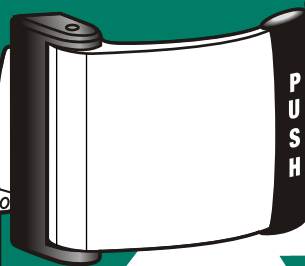
8650 Escutcheon

▼ Door Size

Standard unit will fit doors up to 66" above the paddle height (110" door if paddle is at max. 44" height). For taller doors, order 8655 Tall Door Kit, which allows up to 97" above paddle.

▼ Function

Designed for paired outswinging narrow stile glass doors but also suitable for single doors. Instead of operating a conventional horizontal-throw latchbolt, the 4781 latches to header and threshold. This allows both door leaves to be "active". There is no need to pin one door with flushbolts or other devices. The paddles are a modified version of the 4591 and the concealed vertical rod mechanism is the same as used in Adams Rites 8600 exit device. Note, however, that the 4781 is not intended to substitute for an exit device, which must have a door-spanning bar.



4781 Paddle

▼ Paddle Dogging

Turning hex screw in paddle escutcheon holds paddle down, leaving door free-swinging.

▼ Inside Operation

Push paddle to unblock top bolt and withdraw bottom bolt. Continuing to push opens the door in a very natural, handicap-friendly motion. Paddle stroke is approx. 1-1/2" at extreme end. Rod adjustment allows paddle (centerline) to be mounted at any height from 30 to 44 inches above the finished floor.

▼ Outside Operation

If key entry operation is required, any standard mortise cylinder with MS® cam can be installed through an 8650 cylinder escutcheon. Any of the entry trim available with Adams Rite exit devices can also be specified, in the version used for CVR devices. (See Exit Device section for entry trim choices.)

▼ Bottom Bolt

Stainless hexagonal steel bolt requires only a half-inch diameter hole in threshold for a strike.



ADAMS RITE
MANUFACTURING CO.

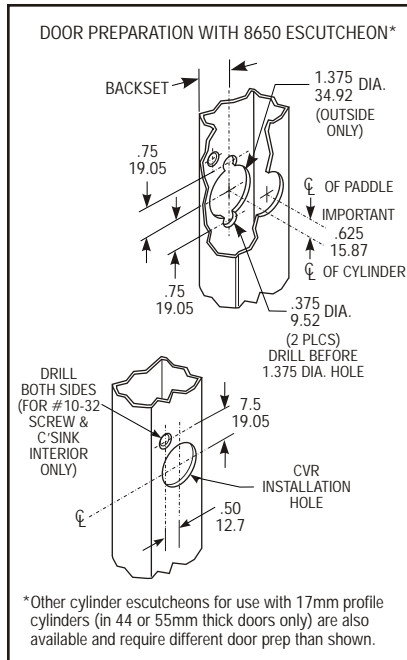
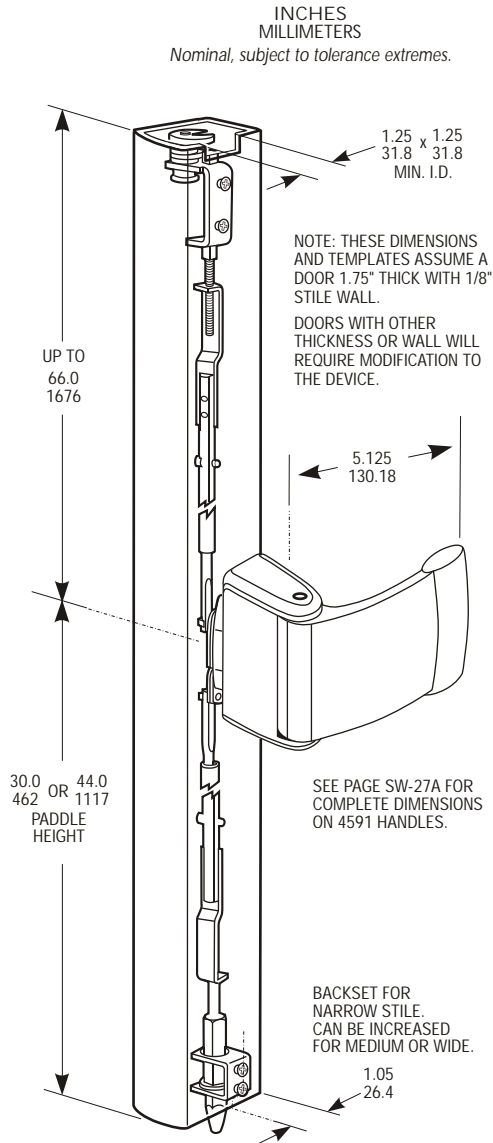
260 Santa Fe Street
Pomona, California 91767
(800) 872-3267 Fax:(800) 232-7329
www.adamsrite.com



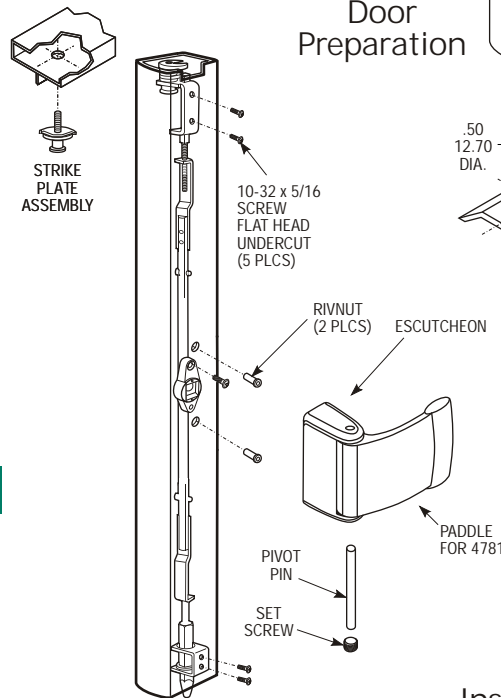
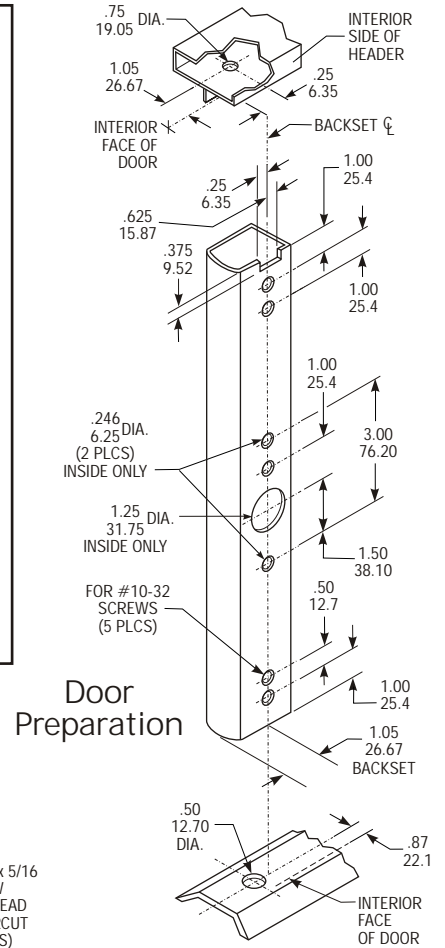
4781 Two-Point Deadlatch

with Paddle

DIMENSIONS



INSTALLATION



HOW TO ORDER

Specify quantity and the following information.
Order related hardware separately.

Operation
021 Push to LEFT
041 Push to RIGHT

4781 - 021 - 628

Order 8650 Escutcheon, 4036 Cylinder or 8655 Tall Door Kit if required.

Paddle Finish
628 Clear Anodized
313 Dark Bronze Anod.
335 Black Anodized
US3 Bright Brass
US26 Bright Chrome
US26D Satin Chrome

Installation

OPTIONS

Can be exit only, or allow key access from outside with use of 8650 escutcheon. Entry trim available with Adams Rite exit devices can also be specified, in the version used for CVR devices. See the Exit Device section for entry trim choices.

STANDARD PACKAGE

Individually boxed with mounting screws and installation instructions. Shipping weight: approx. 3 lbs.